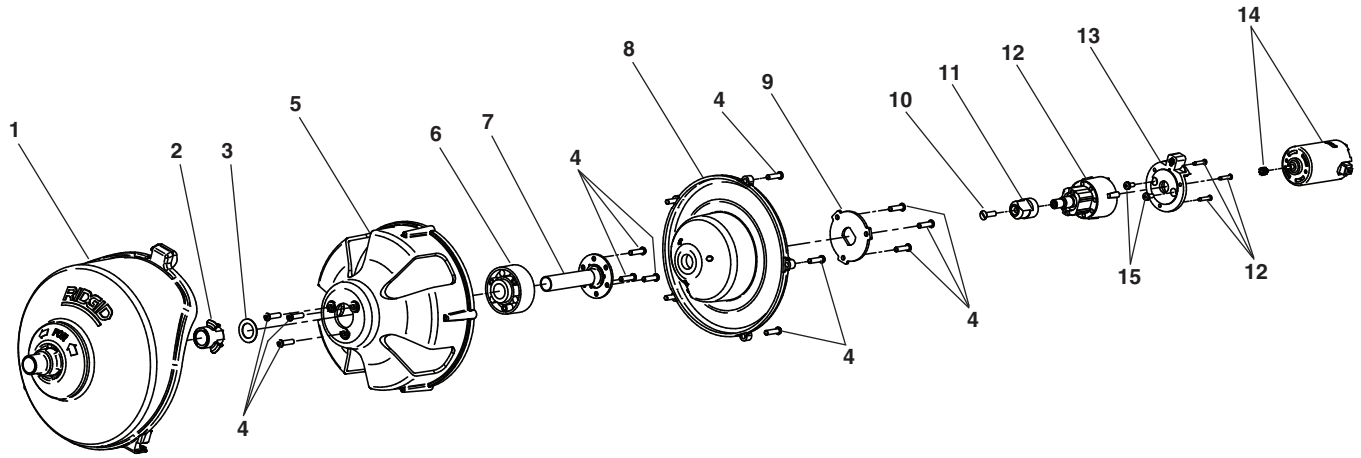


**NOTE: Order parts by Catalog Number only.  
DO NOT order by Reference Number.**

Ref. No.	Catalog No.	Description	Ref. No.	Catalog No.	Description
1	56868	Cable End Cap	15	21768	Strain Relief
2	55983	1/4" x 30' Cable	16	56948	Screw, #8-32 x 5/8" (3)
3	56923	Bottom Housing	17	56928	Warning Label
4	56873	Screw, #10 x 3/8" (6)	18	21763	Air Switch W/Locknuts
5	56878	Roller Bearing (6)	19	56933	Right Half Housing
6	56883	Washer (2)	20	56938	Left Half Housing
7	56888	Pivot Pin	21	56943	For/Off/Rev Label
8	56893	Forward Lever	22	21778	Switch
9	24228	Torsion Spring	23	21758	Rectifier
10	56898	Reverse Lever	24	56958	Housing Bottom
	56918	Autofeed Asm (Incl Ref #'s 3-10)	25	56963	Cap (4)
11	56908	Guide Hose 18"	26	56968	Leg (2)
12	21783	Footbulb Asm	27	56973	Drain Plug
13	27578	Screw, #8 x 3/4" (17)	28	56913	Guide Hose Extension 30"
14	21773	ALCI Linecord 115V			
	63903	Linecord 230V (China)			
	63908	Linecord 230V (Korea)			
	61588	ALCI Linecord 230V (U.K.)			
	61603	ALCI Linecord 230V (Europe)			



**NOTE: Order parts by Catalog Number only.  
DO NOT order by Reference Number.**

<u>Ref. No.</u>	<u>Catalog No.</u>	<u>Description</u>
1	56728	Front Cover
2	21808	Shaft Bearing
3	56733	Washer
4	27578	Screw, #8 x 3/4" (28)
5	56738	Front Drum
6	56743	Guide Tube Spacer
7	56748	Guide Tube
8	56753	Drum Back
9	56763	Motor Drive Plate
10	76775	Screw, LH #10-32 x 3/4"
11	56768	Clutch Coupling
12	56773	Gearbox W/Screws
13	56778	Motor/Gearbox Adapter
14	24078	Motor Assembly 115V
	61583	Motor Assembly 230V
15	56788	Screw, M4 x 10 mm (2)